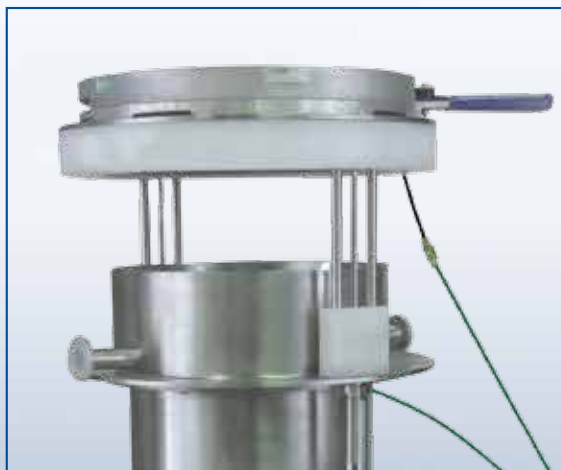


Meto Systems

FIBC Docking Systems



50 years of innovation and excellence



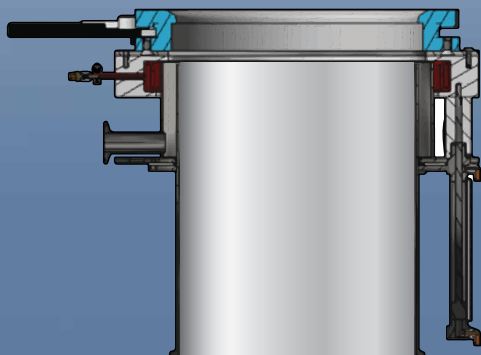
CLOSED



OPEN



**Superior material flow control
with inflatable seal system**



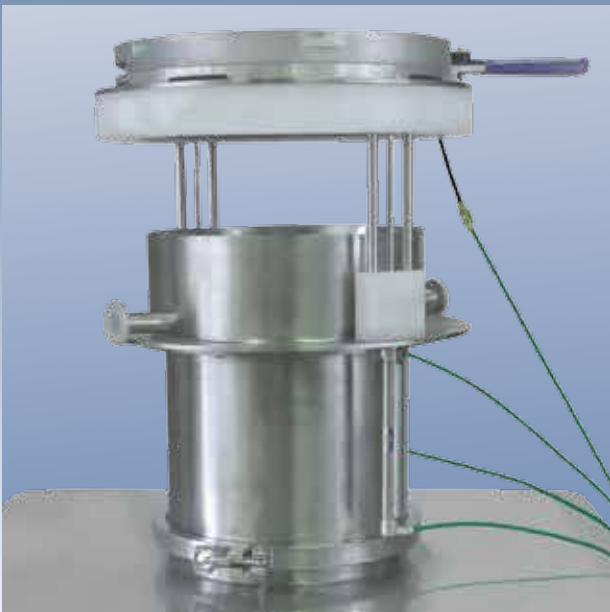
Meto Systems
556 Commerce Street
Franklin Lakes, NJ 07417
Office: (201) 405-0311
Fax: (201) 405-0322
sales@metosystems.com

50 Years of Innovation and Excellence

Meto Systems FIBC Docking System

Operation

The **METO Systems FIBC Docking System** is a high quality aluminum body design that can easily and efficiently dock Flexible Intermediate Bulk Containers (FIBCs, also known as "Bulk Bags") to downstream equipment.



The **METO Systems FIBC Docking System** has an integrated iris valve that provides material flow control, and an inflatable seal system ensures a contained transfer of product. The optional dust extraction system provides additional dust control for applications requiring higher containment of the product.

A traditional FIBC discharge system raises a sack and a large, single purpose discharge frame before discharging into a conveyor. This inefficient method lifts materials twice and requires extensive cleaning of the conveyor system.

The **METO Systems FIBC Docking System** is designed to discharge the product directly into the process, minimizing discharge time and product contact surfaces that require cleaning.

Construction

Stainless Steel construction creating a high quality and durable finish, The **METO Systems FIBC Docking System** is suitable for many clean room environments.

Savings

The **METO FIBC Discharge System** allows for the docking assembly to be mounted directly on the downstream equipment for gravity discharge from the FIBC. When paired with a METOLIFT column lifter, the system can minimize the amount of handling and time required to position the FIBC, reduce cleaning and maintenance costs and optimize the amount of space required.



50 years of innovation and excellence

Meto Systems
556 Commerce Street
Franklin Lakes, NJ 07417

Office: (201) 405-0311
Fax: (201) 405-0322
sales@metosystems.com